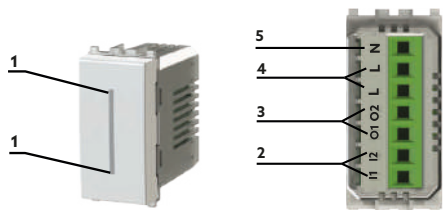




For more info  
4box.it

### General description

Uniko Pro Smart is a double pushbutton connected with a WiFi module, with a double on-board relays operating in the 100-240V range up to a maximum of a 5A+5A; the double button is Smart and can be controlled remotely via smartphone or App and can assume light and motor control functions for rolling shutters.



1. Push button with RGB LED backlight
2. Terminals I1 and I2 for optional button inputs
3. O1 and O2 terminals which return the phase of the L terminals
4. Phase L terminals
5. Neutral N terminal

### Operating mode

Relè Pro Smart can be programmed to have the single button, the double button and the engine control. It can be controlled via smartphone or via voice assistants.

### Configuration

To perform the first installation, replacement and/or removal of a device and for any other information, refer to the manual which can be downloaded from the site.

### Precautions for use



All direct connections to the mains conductors must be carried out by trained and authorized technical staff. Pay attention to any danger indications placed on the device or contained in this manual highlighted with the symbol (⚠).  
 ⚠ Do not use the device in gas saturated environments.  
 ⚠ Do not place the device near heat sources.  
 ⚠ Use only indoors.

### Installation rules



Installation must be carried out by qualified staff in compliance with the provisions governing the installation of electrical equipment in force in the country where the products are installed. The installation must be carried out with the system switched off.

### Warranty

This product is covered by a 2 years from the date of purchase on parts warranty. To enforce the guarantee it is necessary to keep the proof of purchase. The warranty does not cover any damage due to shocks or accidents. The components of the appliance must not be opened or repaired by people outside 4box company.

### Technical info

	min 1 x 0,05 mm <sup>2</sup> - max 1 x 2,5 mm <sup>2</sup> - 0,5 Nm
	+5 °C +45 °C
Operation voltage	100V – 240V / 50-60Hz
Maxi electric current	5A+5A
Max load	2300W
Technology	Radio WiFi
Exercise frequency	2,4 GHz
Standby consumption	1 Wh

### Maintenance and cleaning

Before cleaning, disconnect the product from the power supply. The product does not require specific maintenance. To clean the product, use a simple dry cloth. Do not use abrasive or corrosive substances. Do not spray cleaning products directly on the switch.

### Disposal



This logo indicates devices that are no longer usable cannot be placed in the normal containers for ordinary waste. The toxic substances that may be contained in them, in fact, could represent a risk to health and the environment. These devices should be returned to your dealer or disposed of as determined by local authorities.

### Declaration of conformity

4box declares under its own responsibility that the Relè Lite Smart device complies with the following directives and that this conformity has been assessed in compliance with the respective applicable standards:

- Directive 2014/53/EU (effective use of the radio spectrum in order to avoid harmful interference).
- Reference standard: ETSI EN 300 328 V2.2.2.
- Directive 2014/35/EU (protection of users' health and safety).
- Reference standard: EN 62368 -1:2014+A11:2017.
- Directive 2014/30/EU (protection requirements regarding electromagnetic compatibility) Reference standards: CEI EN 55032:2015, EN 55035:2017+A11:2020 and ETSI EN 301 489-1/17.
- Directive 2013/35/EU (protection requirements regarding physical agents).
- Reference standard: CEI EN IEC 62311:2021
- RoHS directive.

### Procedures to set back to factory settings

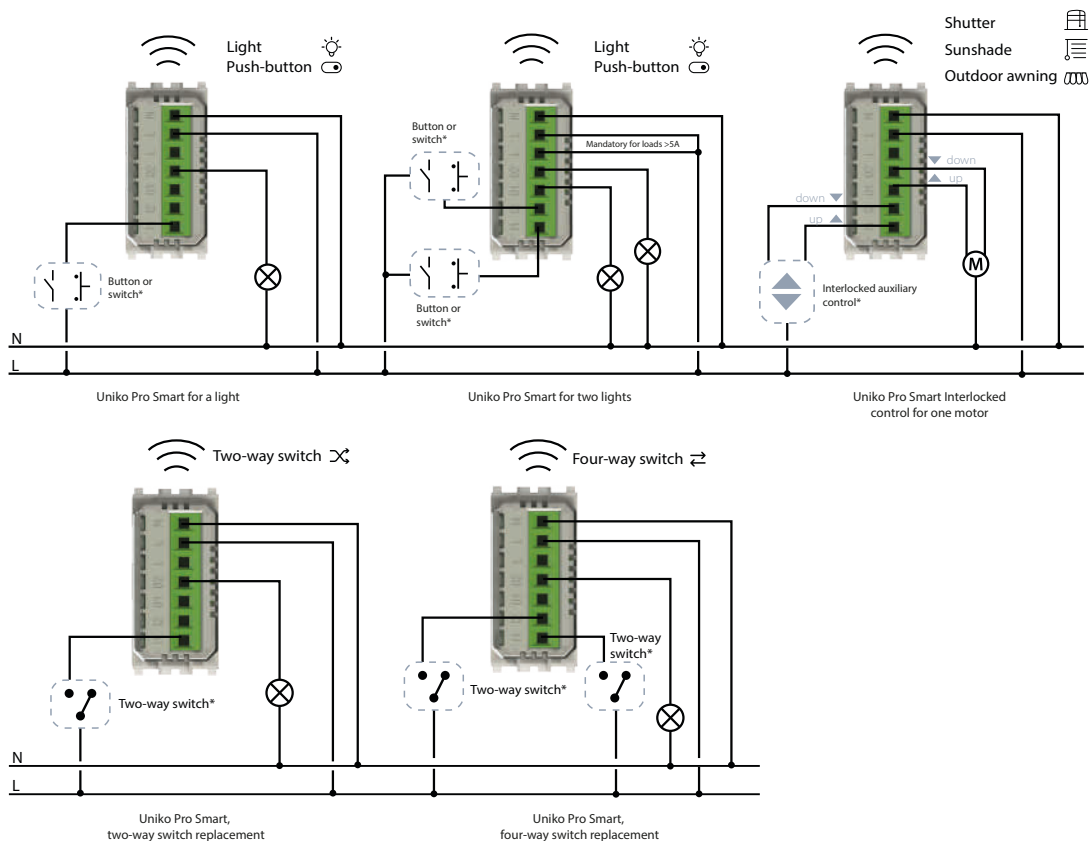
Pre-connection of the device to the internet (firmware version MO.11.03):

1. From any state of the relay (ON or OFF) it is necessary to press and hold the bottom button pressed for 6-7 seconds, the continuous flashing of the green LED confirms that the reset procedure has been activated. From now on, you have 20 seconds available to complete the next steps in the following list, otherwise the procedure will be canceled automatically.
2. Press the low key 3 times in a row (if mounted oriented according to the manual) to confirm the intention of the reset, and a triple flashing of the red LED will confirm the successful reset.
3. The device will reboot and the double blue flash confirms that the device is ready to be associated again.

Post-connection of the device to the internet (firmware version MO.11.07 or higher):

1. From any state of the relays (ON or OFF) you need to press and hold both buttons of the uniko until the slow flashing of the green LED starts, which confirms that you have activated the reset procedure. From now on, you have 20 seconds to complete the next steps in the following list, otherwise the procedure will be canceled automatically.
2. As soon as the green LED starts flashing quickly, press the down button 3 times in a row (if mounted oriented according to the manual) to confirm the intention of the reset and a triple flash of the red LED will confirm that the reset has occurred.
3. The device will reboot and the double blue flash confirms that the device is ready to be associated again.

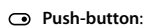
### Wiring diagrams



\* In the input it can be connected indiscriminately to Phase (L) or to Neutral (N)



**Light:**  
set it as default in case no input commands are present



**Push-button:**  
the command from the app closes the contact for one second



**Motor:**  
Set the template before testing the functionality